

## Technical Data Sheet H&W FSC® Bambus TerrassePlank Pro™, Espresso

Item: 188801, 188801-SS, 188802, 188802-SS, 188804, 188804-SS

### Product Description

FSC® Bambus TerrassePlank Pro™, Espresso is the superior choice for all exterior decking applications and has been used worldwide in many commercial and residential projects. FSC® Bambus TerrassePlank Pro™, Espresso is solid and high density decking board, made from compressed bamboo fibers with a special, patented heat treatment process, making it one of the strongest, hardest and most durable materials on the market to create the perfect space for exterior entertainment and relaxation. Only two decking profiles are needed for your exterior decking application. A single grooved (G1) plank used as starter and ending plank and the G2 for the deck itself. All the deck planks include tongue & grooved end matched system to attach the planks seamlessly together. Like any untreated tropical hardwood species, when exposed to exterior conditions, decking will turn grey over time creating a very natural look.

### Product Technical Specification and Tolerance

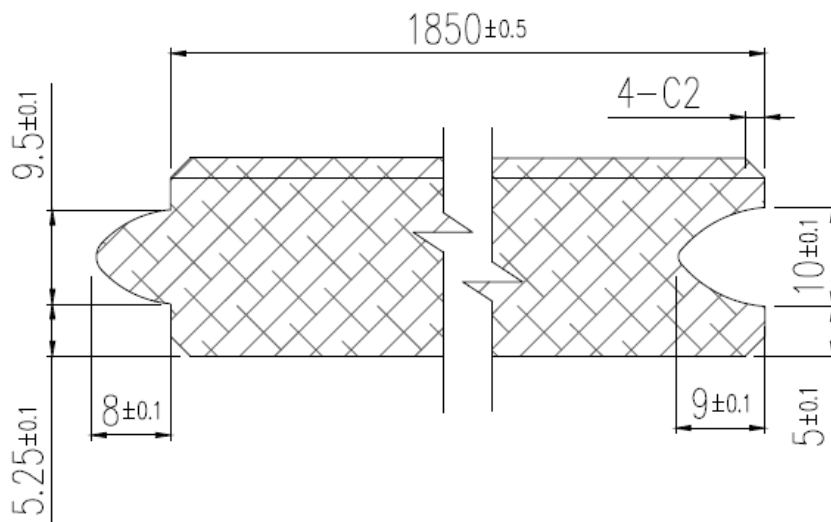
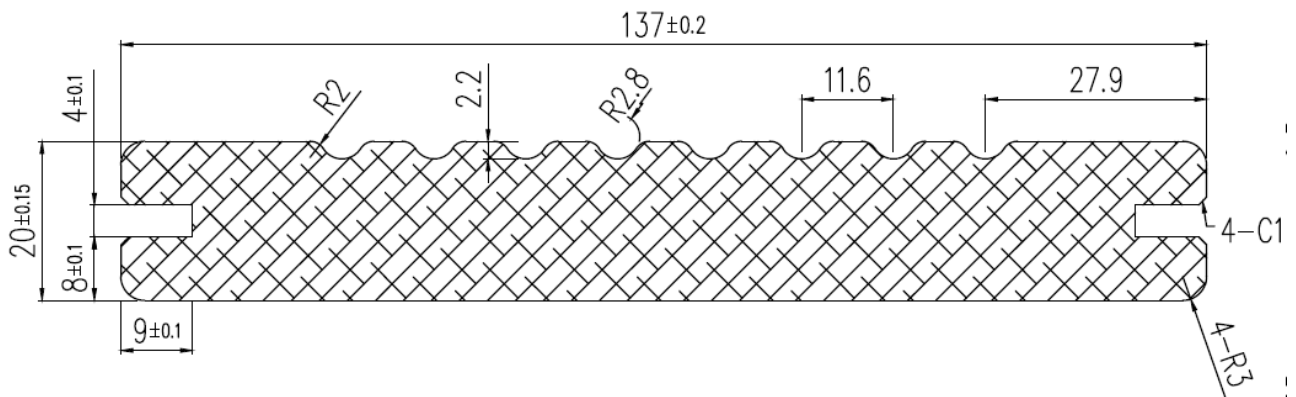
Properties	Standard
<b>Dimension and Tolerance</b>	dimension : 1850mm x137/155/178mm x 18/20mm length tolerance: ±1mm width tolerance: ±0.2mm thickness tolerance:±0.2mm T&G tolerance: 0 - 0.15mm
<b>Density/Specific Gravity</b>	1,100kg/m <sup>3</sup>
<b>Moisture content</b>	10%±2
<b>Reaction to fire classification</b>	Bfl-s1 (DIN EN 13501-1:2010)
<b>Resistance to indentation (Brinell hardness)</b>	106.8N/mm <sup>2</sup> (DIN EN 1534)
<b>Bending Strength (MOR)</b>	74.4N/mm <sup>2</sup> (DIN EN 40)
<b>Modulus of Elasticity (MOE)</b>	19100N/mm <sup>2</sup> (DIN EN 40)
<b>Determination of the anti-slip properties</b>	wave- C smooth- B (DIN 51097:1992, GUV-I 8527:1999)
<b>Resistance against termites</b>	class DC M (moderately durable) (EN 117:2012)
<b>Durability-wood decay basidiomycete fungi</b>	class 1(very durable) CEN/TS 15083-1:2005 EN 350:2016
<b>Durability-soft rot fungi</b>	class 1(very durable) CEN/TS 15083-1:2005 EN 350:2016
<b>Resistance against blue stain fungi</b>	0 (EN 152:2011)

<b>Resistance against mould fungi</b>	0 (DIN EN ISO 846:1997-10 (method A))
<b>Release of Formaldehyde</b>	E1(0.1mg/m <sup>2</sup> h) (GB/T17657-2013)
<b>Moisture Resistance and dimensional stability</b>	Swelling rate in thickness: 4.6 % Swelling rate in width: 0.6 % Swelling rate in length: 0.1 % Water absorption: 4.2 % (DIN EN 15534-1, § 8.3.)
<b>Appearance</b>	Both Smooth and Reeded surfaces could be used as top surface. The main surface texture is straight grain, smooth texture, the color is greyish brown when unfinished and turn to rich dark brown after primed with penetrating oiled. Natural grain and color may vary as this is a natural fiber product
<b>Cupping</b>	≤ 0.3 mm
<b>Warping</b>	≤ 6mm and quantity is less than 10%.
<b>Banana Shape</b>	≤ 1mm/m along the length of the panels
<b>Bamboo Nodes</b>	Nodes are separated its width ≤ 10 mm
<b>Height Difference</b>	≤ 0.5mm
<b>Tool Marks</b>	Minor
<b>T&amp;G</b>	Waxed, dimension as shown in technical drawing
<b>Finishes</b>	WOCA fully cured, uniform with no excess
<b>Thickness Swelling Rate of Water Absorption Test</b>	≤ 3%, no obvious cracking in cross cut end in 100°C hot water for 1 hour
<b>Packaging and label</b>	According to packaging layout drawing, check the label

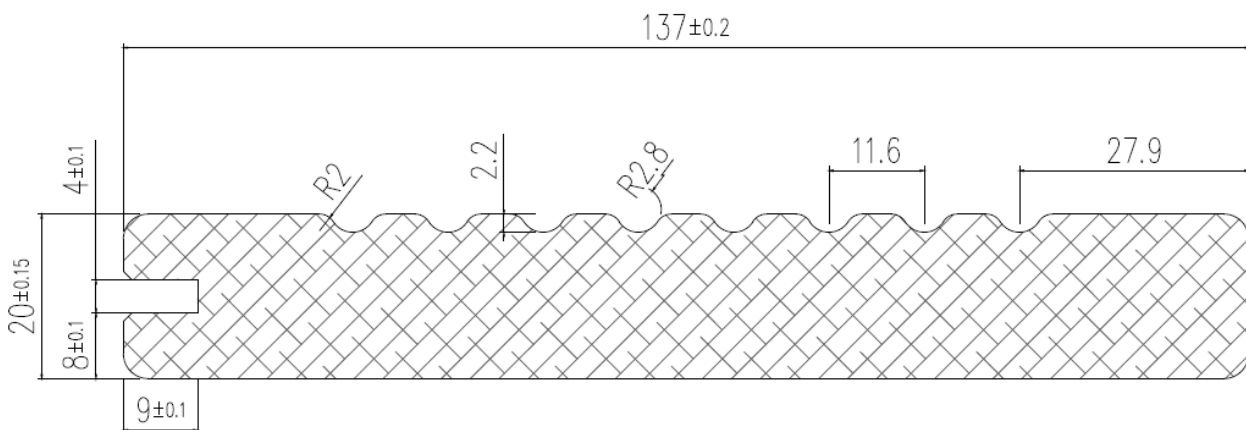
#### **Storage**

- The warehouse should be well ventilated, with relative humidity from 45 to 75% at temperatures ranging from 50°F (+10°C) to 104°F (+40°C).
- Do not store product in pest infested and/or unsuitable warehouse.
- Leave the products in its original package when not in use, cover the bundles from top and bottom to avoid the influence of climatic events and other environmental hazards.
- Store the product horizontally on the ground with pallet shoe on every pallet. The bottom pallet should be placed on an even footing on spacer-pads or palettes. The maximum height of stacked bundles should not exceed 4.5 m.
- The difference between the spacers should not be more than 600mm, with distance of starting and ending spacer from the edge of the bundle not exceeding 200mm (the number of spacers should not be less than 3).

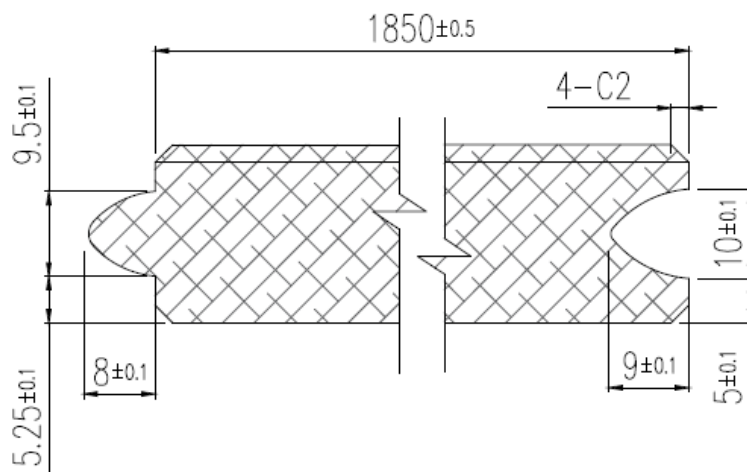
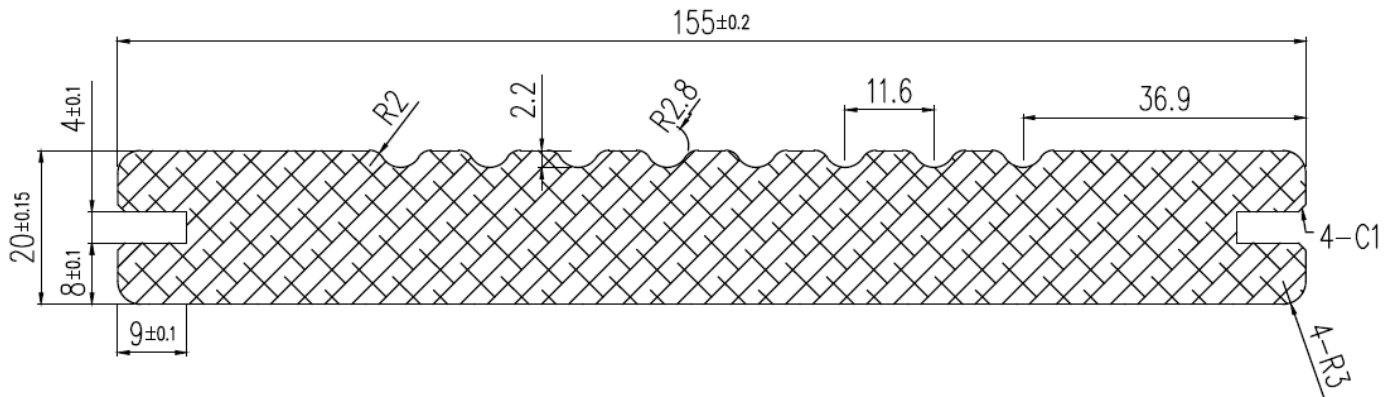
**188801**



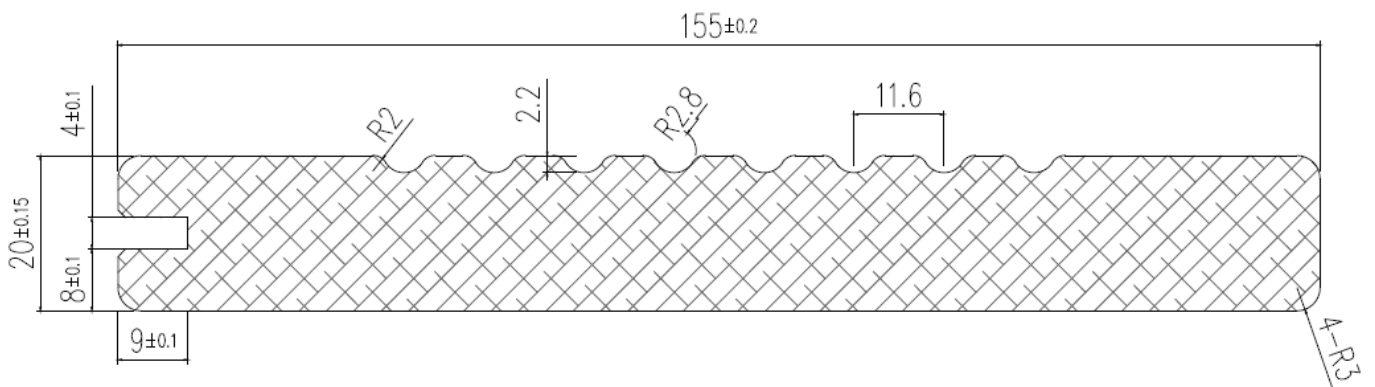
**188801-SS**



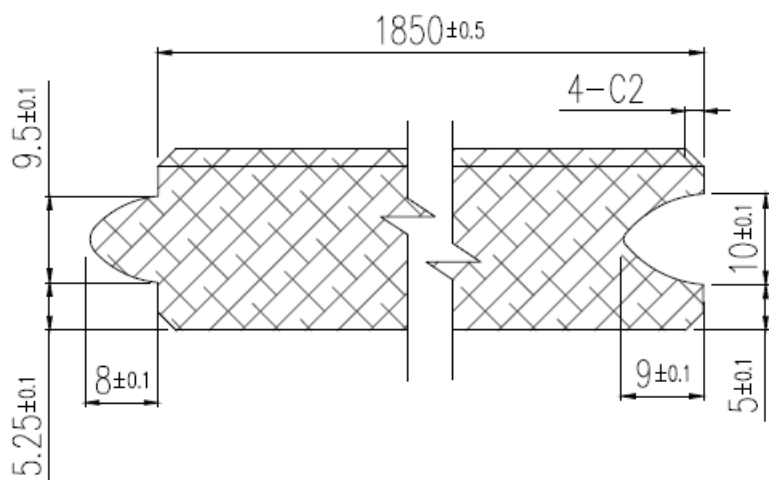
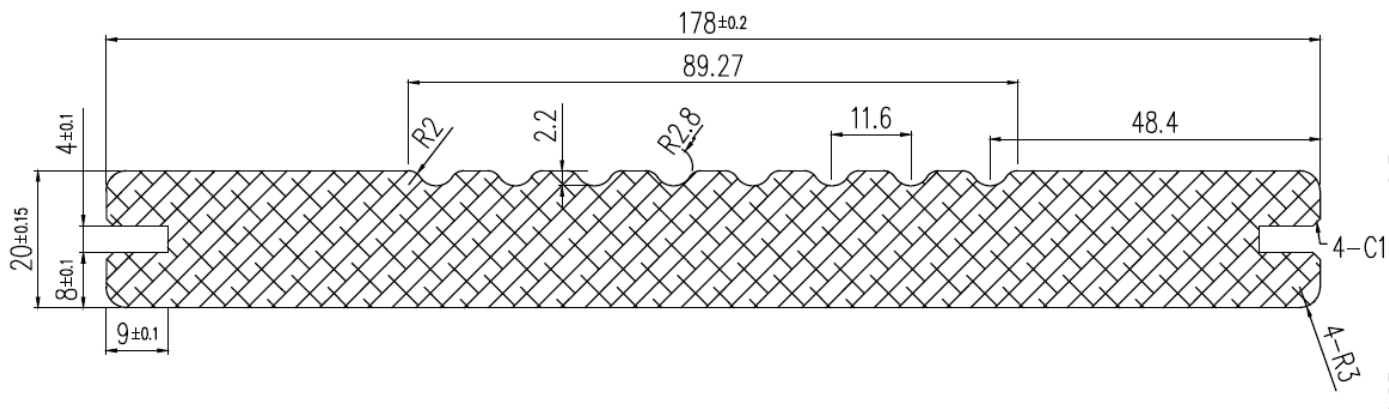
188802



188802-SS



**188804/188904**



**188804-SS/188904-SS**

